



The Lightcloud Dimmer is an in-wall device that delivers remote switching, dimming and scene control. Easily trigger one of your scenes, or toggle between multiple scenes.

Color: White

Weight: 0.2 lbs

<b>Project:</b>	<b>Type:</b>
<b>Prepared By:</b>	<b>Date:</b>

## Technical Specifications

### Listings

**UL Listing:**

Indoor use only.

**DLC Listed:**

This product is on the Design Lights Consortium (DLC) Qualified Products List and is eligible for rebates from DLC Member Utilities.

### Electrical

**Input Voltage:**

120-277 VAC

**Frequencies:**

50/60 Hz

**Current Draw:**

14 mA @ 120VAC

10 mA @ 277VAC

### Construction

**Operating Temperature Range:**

0°C to 40°C

**Storage Temperature Range:**

-40°C to 85°C

**Maximum Relative Humidity:**

85%

**Wire Gauge:**

18AWG grounding; terminals supporting up to 12AWG wire

### Wireless Range

**Line of Sight:**

1000 feet

### Obstructions:

100 feet

### Other

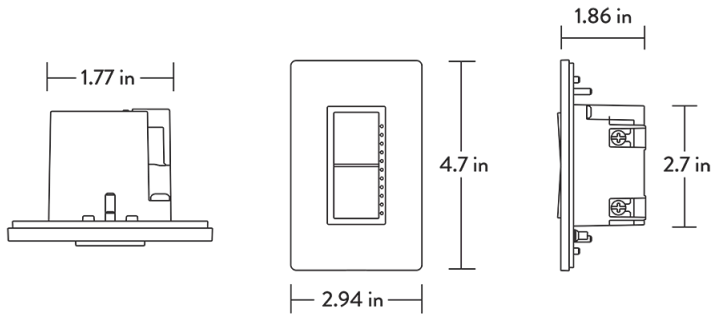
**Warranty:**

10-year full hardware warranty with 100% repair/replacement coverage for all properly installed devices.

**Country of Origin:**

Designed by RAB in New Jersey and assembled in China.

## Dimensions



## Features

- In-wall device for switching, dimming and scene control
- Switch and dim individual fixtures or entire zones
- Dimming features both fade on/off and rapid full-on
- Assign scenes to top and/or bottom buttons
- Set the max trim level for a zone or fixture to save energy
- Use together with Lightcloud Controller or Ceiling Sensor devices