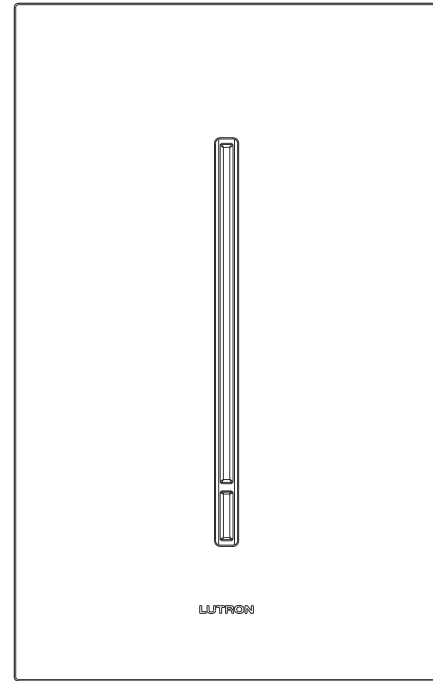


GRAFIK T™ QS Slider

The GRAFIK T™ QS Slider provides a simple and elegant way to control lights and other 3rd party equipment as part of a lighting control system. The GRAFIK T™ QS Slider operates much like other low-voltage, wired lighting controls, and is useful in locations where single circuits of lighting need to be dimmed.

Features

- Simple touch control.
- Distinctive architectural aesthetic.
- Softly lit white LEDs indicate light level and coordinate with any décor.
- Available in over 40 colors and finishes including metal and glass.
- Includes a white Lutron® GRAFIK T™ wallplate. Please see the **Colors and Finishes** section for additional color options.
- Lutron® GRAFIK T™ wallplates snap on with no visible means of attachment.
- Connects via IEC PELV/NEC® Class 2 wiring.



GRAFIK T™ QS Slider - GT-QSS1W-WH
(wallplate included)

Model Numbers

| Controls | |
|-----------------------------|----------------------------------|
| GT-QSS1W-WH | GRAFIK T™ QS Slider for Quantum® |
| Wallplates | |
| LWT-G-XXX ^{1,2} | Single-gang GRAFIK T™ wallplate |
| LWT-GG-XXX ^{1,2} | Two-gang GRAFIK T™ wallplate |
| LWT-GGG-XXX ^{1,2} | Three-gang GRAFIK T™ wallplate |
| LWT-GGGG-XXX ^{1,2} | Four-gang GRAFIK T™ wallplate |

¹ "XXX" in the model number represents color/finish code. See **Colors and Finishes** section for details.

² GRAFIK T™ controls cannot gang with Verti® products or wallplates.

| | |
|-------------|----------------|
| Job Name: | Model Numbers: |
| Job Number: | |

Specifications

Regulatory Approvals

- Designed for IEC PELV / NEC® Class 2 operation only.
- Not a wireless device.
- Compliant with UL® 9D10.
- Compliant with CSA 22.2 No. 14-13.
- Compliant with IEC60669.

Power

- 24-40 V_{AC} 30 mA IEC PELV / NEC® Class 2.

Typical Power Consumption

- 0.15 W; 1 Power Draw Unit (PDU).
- Test conditions: QS slider powered at 24 V_{AC}, remote load is off.

Environment

- Ambient Temperature Operating Range: 32 °F to 104 °F (0 °C to 40 °C).
- Relative humidity: 0% to 90% non-condensing.
- For indoor use only.

Lighting Sources/Load Types

- Controls lighting sources with smooth, continuous Square Law dimming.
- Works with any type of lighting zone output in a Quantum® system excluding 3-channel DMX loads.
- Works with dimmed loads and non-dimmed loads.

Performance

- Power failure memory: should power be interrupted, the control will return to its previous state when power is restored.
- Tested to withstand surge voltages without damage or loss of operation, in accordance with IEEE C62.41-1991 Recommended Practice on Surge Voltages in Low-Voltage AC Power Circuits.
- Tested to withstand electrostatic discharge without damage or memory loss, in accordance with IEC 61000-4-2.

System Communications and Capacities

- Only works in a Quantum® system
- Performance will degrade if more than 5 units are being controlled simultaneously per link.

Partitioning

- Supports Quantum® zone chaining feature for partitioning spaces.

Mounting

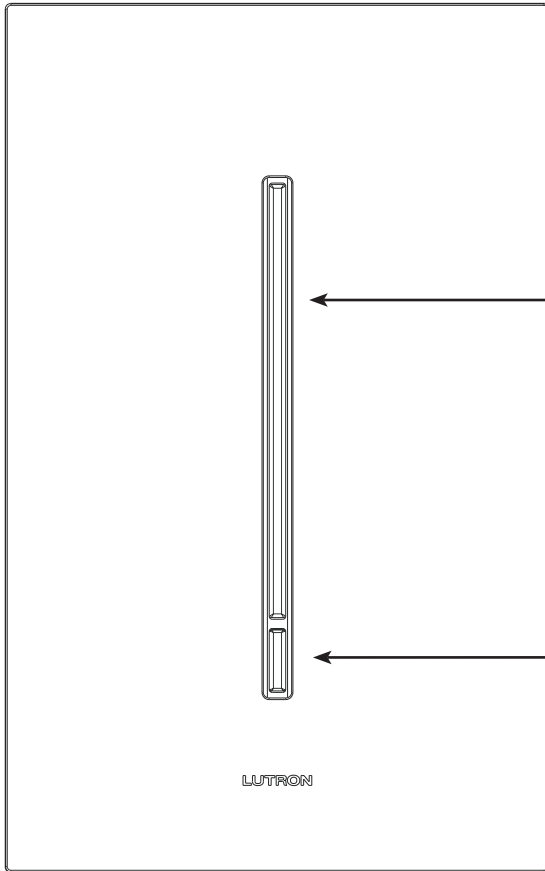
- Requires a U.S. wallbox 3 ½ in (89 mm) deep, 2 ¼ in (57 mm) deep minimum, or low-voltage mounting bracket.

Warranty

- 1 Year Limited Warranty.
For additional Warranty information, please visit www.lutron.com/TechnicalDocumentLibrary/369-119_Wallbox_Warranty.pdf

| | |
|--------------------|-----------------------|
| Job Name: | Model Numbers: |
| Job Number: | |

Operation



Adjust

- Dimmable load
 - Touch to set lights to desired level
 - Slide to adjust light level
- Switched load
 - Touch anywhere to toggle load On/Off

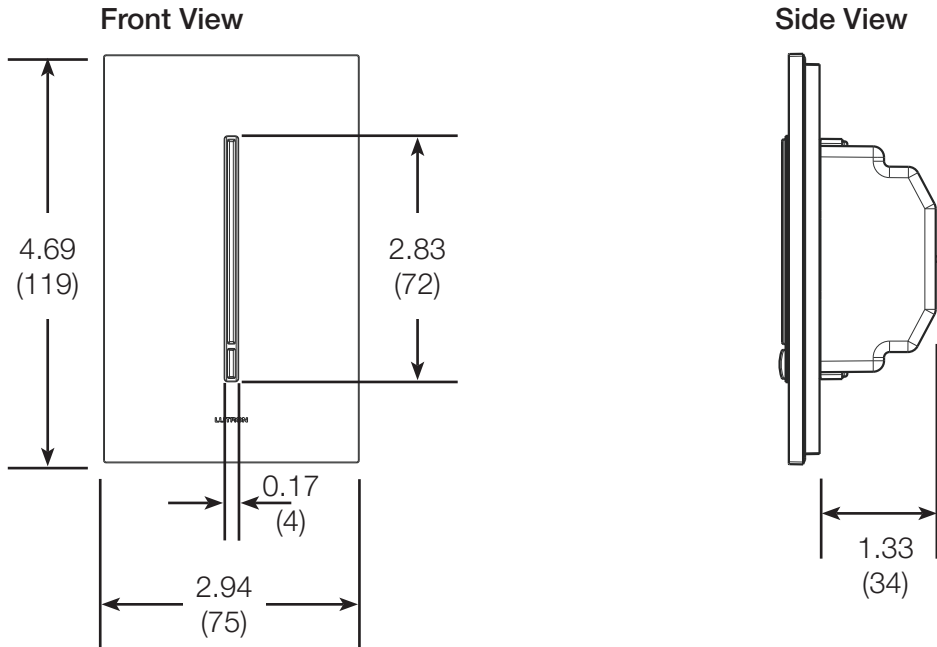
Toggle On/Off

- Touch to turn off or to turn on to previous light level
- Toggle button is white when On, orange when Off
- When ON, press and hold the Toggle Button to engage the delayed long-fade-to-OFF

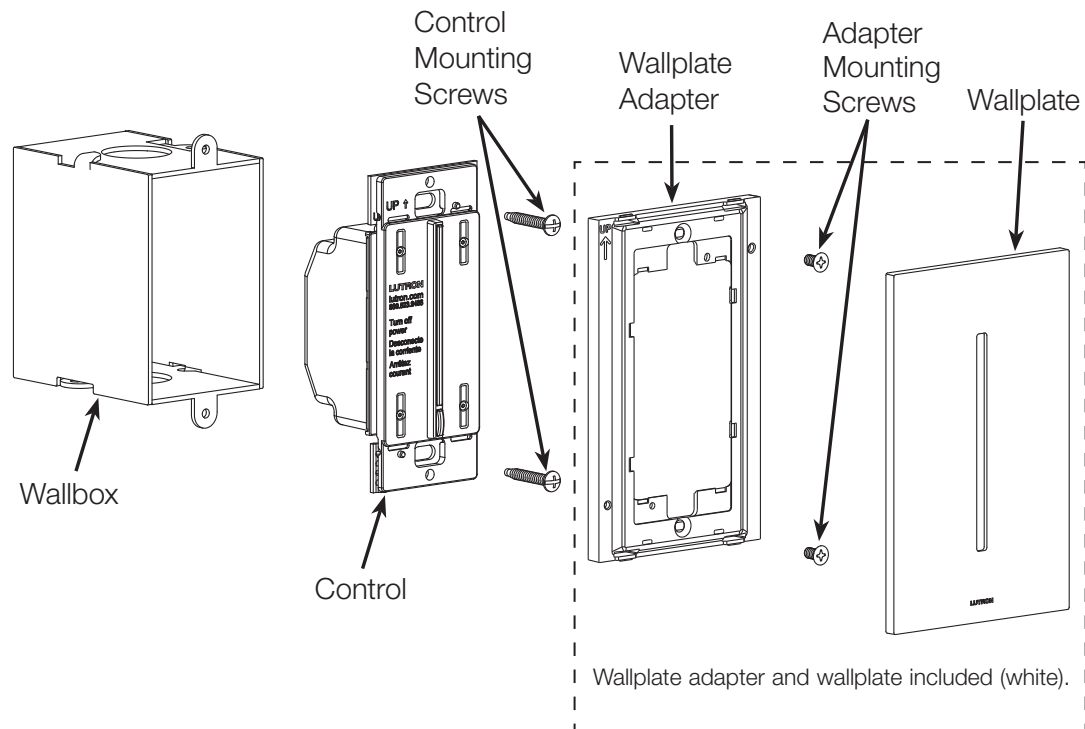
| | |
|-------------|----------------|
| Job Name: | Model Numbers: |
| Job Number: | |

Dimensions

All dimensions are shown as ⁱⁿ
(mm)



Mounting and Parts Identification

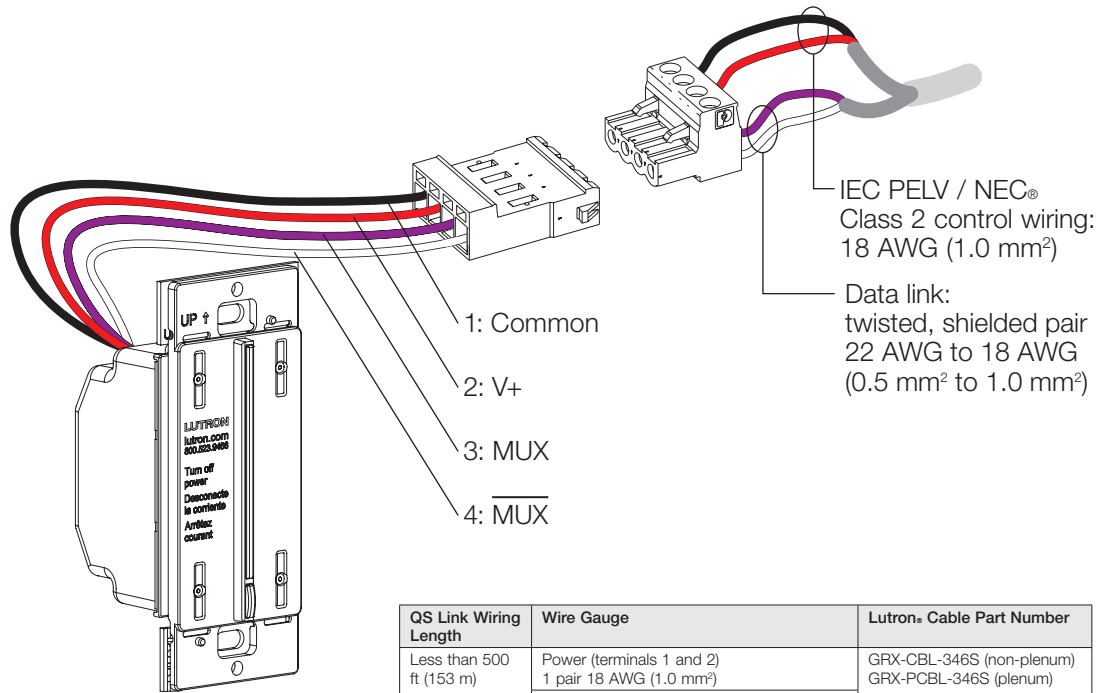


| | |
|-------------|----------------|
| Job Name: | Model Numbers: |
| Job Number: | |

Wiring

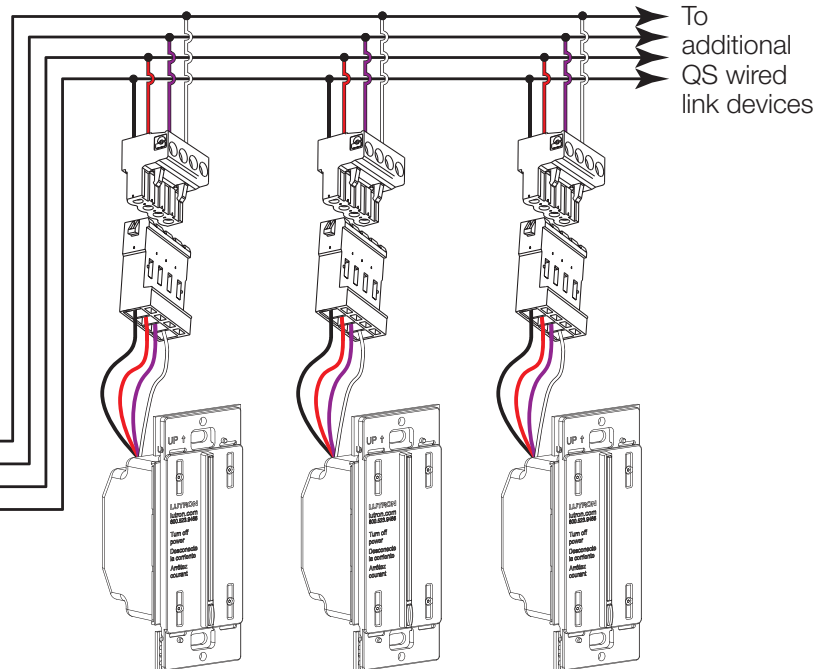
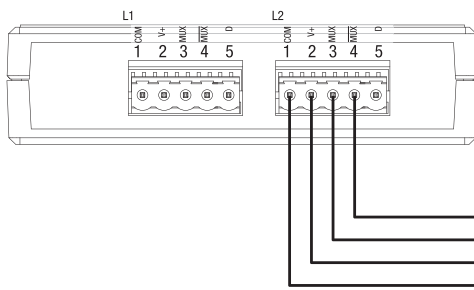
Wiring Notes

- QS wired link wiring may be in a daisy-chain, star or T-tap configuration.
- The total length of wire on a QS wired link is not to exceed 2000 ft (610 m).
- Up to 100 devices can be connected to the QS wired link. This can include GRAFIK T™ QS sliders along with other devices as defined in the Quantum® software.
- An external power supply may be required depending on the total current draw of all wired devices on the processor link.



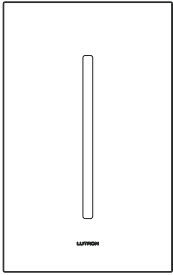
| QS Link Wiring Length | Wire Gauge | Lutron® Cable Part Number |
|--------------------------|---|---|
| Less than 500 ft (153 m) | Power (terminals 1 and 2) 1 pair 18 AWG (1.0 mm²) | GRX-CBL-346S (non-plenum) GRX-PCBL-346S (plenum) |
| | Data (terminals 3 and 4) 1 twisted, shielded pair 22 AWG (0.5 mm²) | |
| Up to 2000 ft (610 m) | Power (terminals 1 and 2) 1 pair 12 AWG (4.0 mm²) | GRX-CBL-46L (non-plenum) GRX-PCBL-46L (plenum) |
| | Data (terminals 3 and 4) 1 twisted, shielded pair 22 AWG (0.5 mm²) | |

Pins 1 and 2: 1 pair 18 AWG (1.0 mm²) for power
 Pins 3 and 4: 1 pair 22 to 18 AWG (0.5 to 1.0 mm²) twisted/shielded for data
 (Can use Lutron® cable GRX-CBL-346S-500)

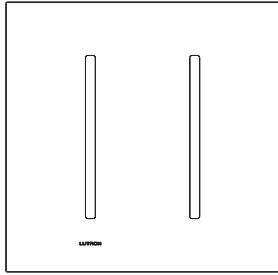


| | |
|-------------|----------------|
| Job Name: | Model Numbers: |
| Job Number: | |

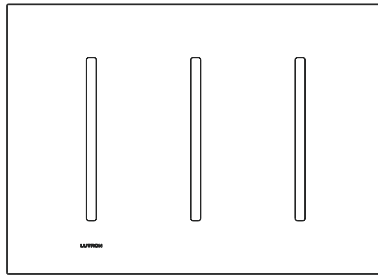
GRAFIK T™ Wallplates



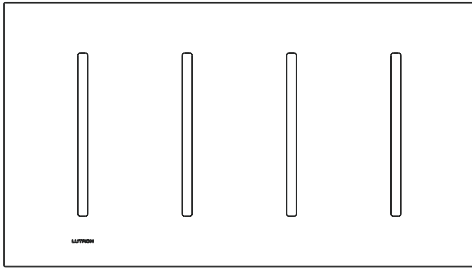
LWT-G-XXX¹
(1-Gang GRAFIK T™)



LWT-GG-XXX¹
(2-Gang GRAFIK T™)



LWT-GGG-XXX¹
(3-Gang GRAFIK T™)



LWT-GGGG-XXX¹
(4-Gang GRAFIK T™)

¹ "XXX" in the model number represents color/finish code. See the **Colors and Finishes** section for details.

For larger wallplates contact Lutron Customer Service at 1.888.LUTRON1 or 1.610.282.3800 (custsvc@lutron.com).

| | |
|--|-----------------------|
| <p>Job Name:</p> <p>Job Number:</p> | <p>Model Numbers:</p> |
|--|-----------------------|

Colors and Finishes

Architectural Matte Finishes



White
WH



Ivory
IV



Almond
AL



Light Almond
LA



Gray
GR



Taupe
TP



Beige
BE



Brown
BR



Black
BL



Sienna
SI

Satin Finishes



Hot
HT



Merlot
MR



Plum
PL



Turquoise
TQ



Taupe
TP



Eggshell
ES



Biscuit
BI



Snow
SW



Palladium
PD



Midnight
MN



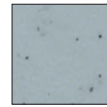
Sienna
SI



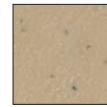
Terracotta
TC



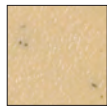
Greenbriar
GB



Bluestone
BG



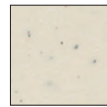
Mocha Stone
MS



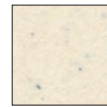
Goldstone
GS



Desert Stone
DS



Stone
ST



Limestone
LS

Glass Finish



Clear Glass
CWH

Architectural Metal Finishes



Satin Brass
SB



Bright Brass
BB



Bright Chrome
BC



Antique Brass
QB



Antique Bronze
QZ



Satin Chrome
SC



Clear Anodized
Aluminum
CLA



Black Anodized
Aluminum
BLA



Brass Anodized
Aluminum
BRA



Satin Nickel
SN



Bright Nickel
BN

- Due to printing limitations, colors and finishes shown cannot be guaranteed to perfectly match actual product colors.
- Color chip keychains are available for more precise color matching:
Architectural Matte Finishes: AM-CK-1 | Architectural Metal Finishes: AMTL-CK-1 | Satin Color Finishes: SC-CK-1

| | |
|--------------------|-----------------------|
| Job Name: | Model Numbers: |
| Job Number: | |