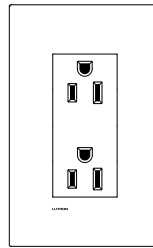


New Architectural Accessories

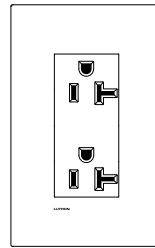
New Architectural accessories provide a clean, consistent aesthetic by allowing accessories to be added to the Palladiom™ and GRAFIK T™ product lines.

Features

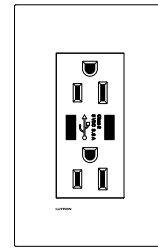
- Able to be ganged with Palladiom™ keypads and GRAFIK T™ controls.
- Faceplates available in a variety of colors and finishes.
- Plastic receptacles used with all colors and finishes.
- Tamper resistant.
- Side or back wire installation capable.
- 125 V~ only (U.S. style wallbox).
- Compatible with Lutron® New Architectural faceplates only.



15 A
Duplex
Receptacle



20 A
Duplex
Receptacle



15 A
USB
Receptacle

Colors and Finishes


Architectural Matte Finishes

-  Almond
AL
-  Beige
BE
-  Black
BL
-  Brown
BR
-  Gray
GR
-  Ivory
IV
-  Light Almond
LA
-  Sienna
SI
-  Taupe
TP
-  White
WH

Architectural Metal Finishes (faceplate only)

-  Bright Nickel*
BN
-  Satin Chrome*
SC
-  Satin Nickel*
SN
-  Bright Brass*
BB
-  Bright Chrome*
BC
-  Satin Brass*
SB

Glass Finish (faceplate only)

-  Clear Glass** (white back)
CWH

- Due to printing limitations, colors and finishes shown cannot be guaranteed to perfectly match actual product colors.
- Color chip keychains are available for more precise color matching:
 - Architectural Matte Finishes: AM-CK-1
 - Architectural Metal Finishes: AMTL-CK-1

*Receptacle will be matte black when purchased with metal faceplate.

**Receptacle will be gloss white when purchased with glass faceplate.

Job Name:	Model Numbers:
Job Number:	

Specifications

Regulatory Approvals

- Lutron® Quality Systems registered to ISO 9001:2008.
- cULus® listed devices
- NOM Certified
- All receptacles comply with UL498
- USB receptacle complies with UL1310

Ratings

- Duplex receptacle
 - 15 A 125 V~ 60 Hz
 - 20 A 125 V~ 60 Hz
 - Capable of being wired in a split feed installation
 - Fork terminal capable
- USB receptacle
 - 15 A 125 V~ 60 Hz
 - Can be wired to a 20 A, 125 V circuit
 - USB 3.8 A* 5 V== dual output Type A 2.0 (3.8 A is the combined output of both ports)
 - Dielectric withstand: 1500 V~ for 1 minute
 - Off state power consumption: 0.1 W
 - USB ports: Rated for minimum 10,000 insertions and removals
 - Complies with battery charging specification BC1.2
 - Compatible with USB 1.1/2.0/3.0 devices

Terminals

- Each terminal accepts up to two 14 AWG to 10 AWG (1.5 mm² to 6.0 mm²) wires.
- Side or back wire installation capable.
- Solid or stranded wires.
- Copper wires only.

Environment

- Ambient operating temperature: 32 °F to 104 °F (0 °C to 40 °C)
- Maximum 90% non-condensing relative humidity
- Indoor use only

Mounting

- Typical U.S. style wallbox dimensions: 3.0 in (76 mm) H x 2.0 in (51 mm) W x 2.5 in (64 mm) D
- See **Mounting Diagrams** on page 11 for more details.
- When ganging receptacles with low-voltage keypads, the installation should be in accordance with all local and national codes. Separation from low-voltage wiring must be maintained.

* Charging certain combinations of devices from the USB ports, may result in currents greater than the 3.8 A product rating.

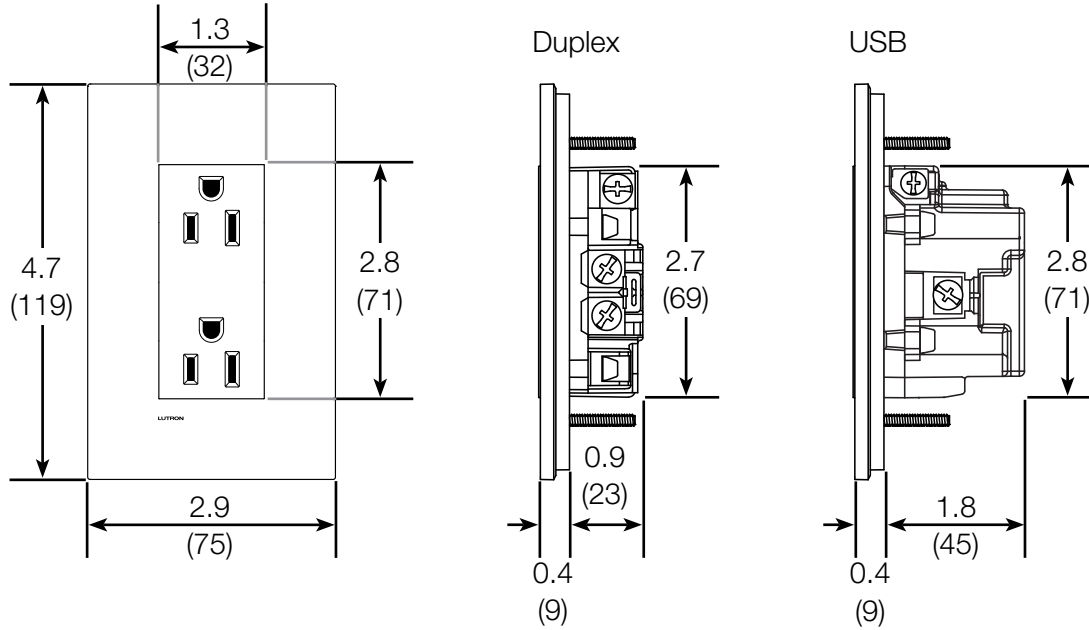
Job Name:	Model Numbers:
Job Number:	

Dimensions

U.S. Style

Measurements shown as: in (mm)

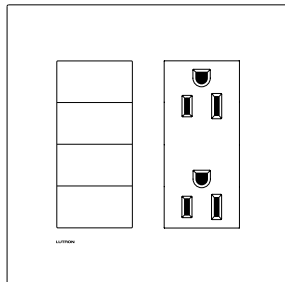
1-Gang



Multi-Gang

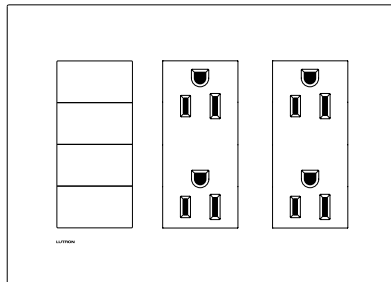
2-Gang

4.8 (122) W x 4.7 (119) H



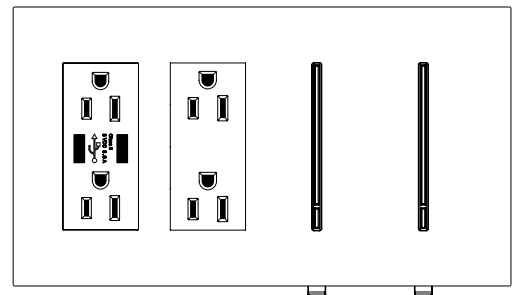
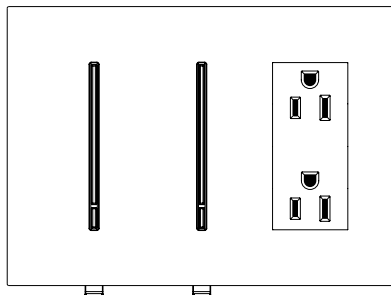
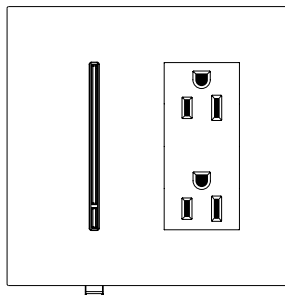
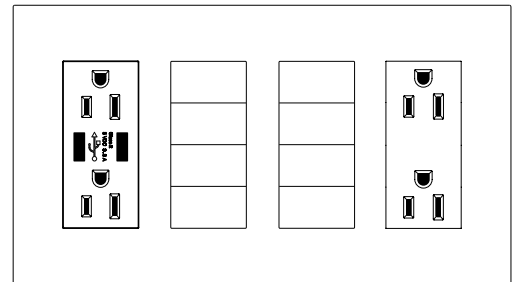
3-Gang

6.6 (167) W x 4.7 (119) H



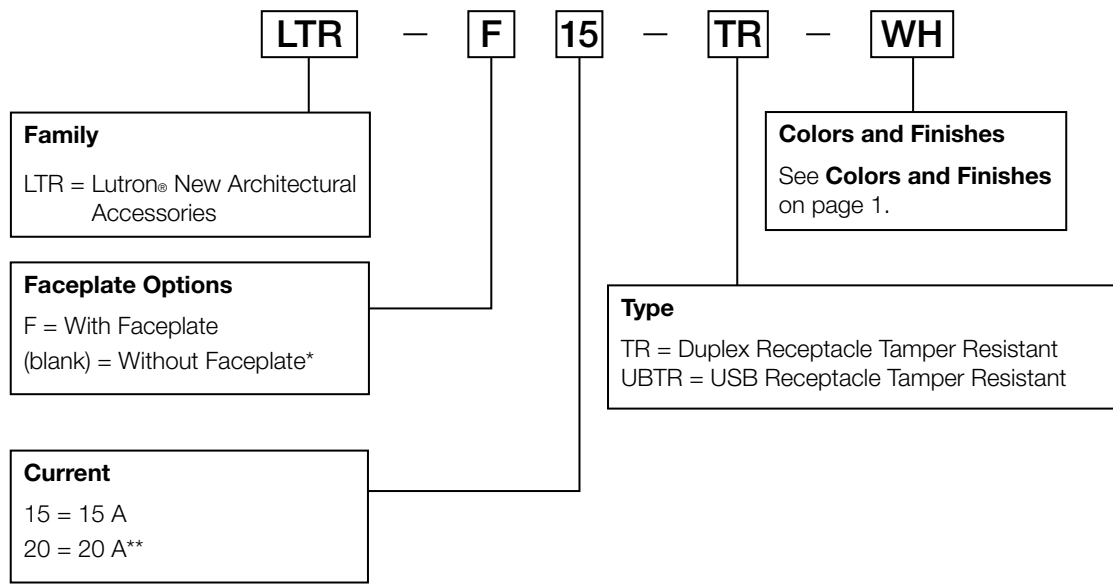
4-Gang

8.4 (213) W x 4.7 (119) H



<p>Job Name:</p> <p>Job Number:</p>	<p>Model Numbers:</p>
--	-----------------------

How to Build an Accessory Model Number



Notes:

- Matte finishes are available with or without a faceplate. Receptacle and faceplate will be the same color/finish.
- Glass finishes are available with or without a faceplate. When glass finish is ordered, the receptacle will be gloss white.
- Metal finishes are only available with a faceplate. When metal finish is ordered, the receptacle will be matte black.

Faceplate Finish	Faceplate Availability	Receptacle Color/Finish
Matte	With or without	Same as faceplate
Glass	With or without	Gloss white [†]
Metal	With	Matte black

*For use in multi-gang installations. For multi-gang metal applications, receptacles must be ordered without a faceplate and in one of the architectural matte finishes (see **Colors and Finishes** on page 1). Receptacles are compatible with Lutron® New Architectural faceplates only.

**Only available for duplex receptacles. Not available for USB receptacles.

[†]Only gloss white receptacles can be used with glass faceplates. Other receptacle colors will not fit into glass faceplates.

Job Name:	Model Numbers:
Job Number:	

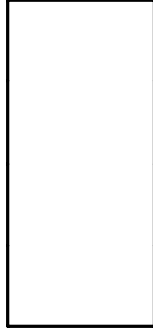
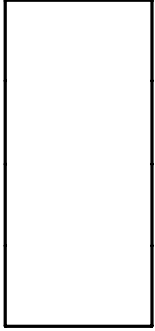
How to Build a Multi-Gang Faceplate Kit Model Number

Step 1: Identify the components in the application and which faceplate openings are needed

Accessories
("P" or "T" opening)

Palladiom™ keypads
("P" opening only)

GRAFIK T™ controls
("G" opening only)



Step 2: Determine which faceplate kit is best for the application

- a. When ganging with Palladiom™ keypads or receptacle-only applications (see page 6 for more details)

LWT – **U** – **PP** – **WH**

- b. When ganging with GRAFIK T™ controls (see page 7 for more details)

LWT – **GT** – **WH**

Note: Palladiom™ keypads and GRAFIK T™ controls cannot be ganged together.

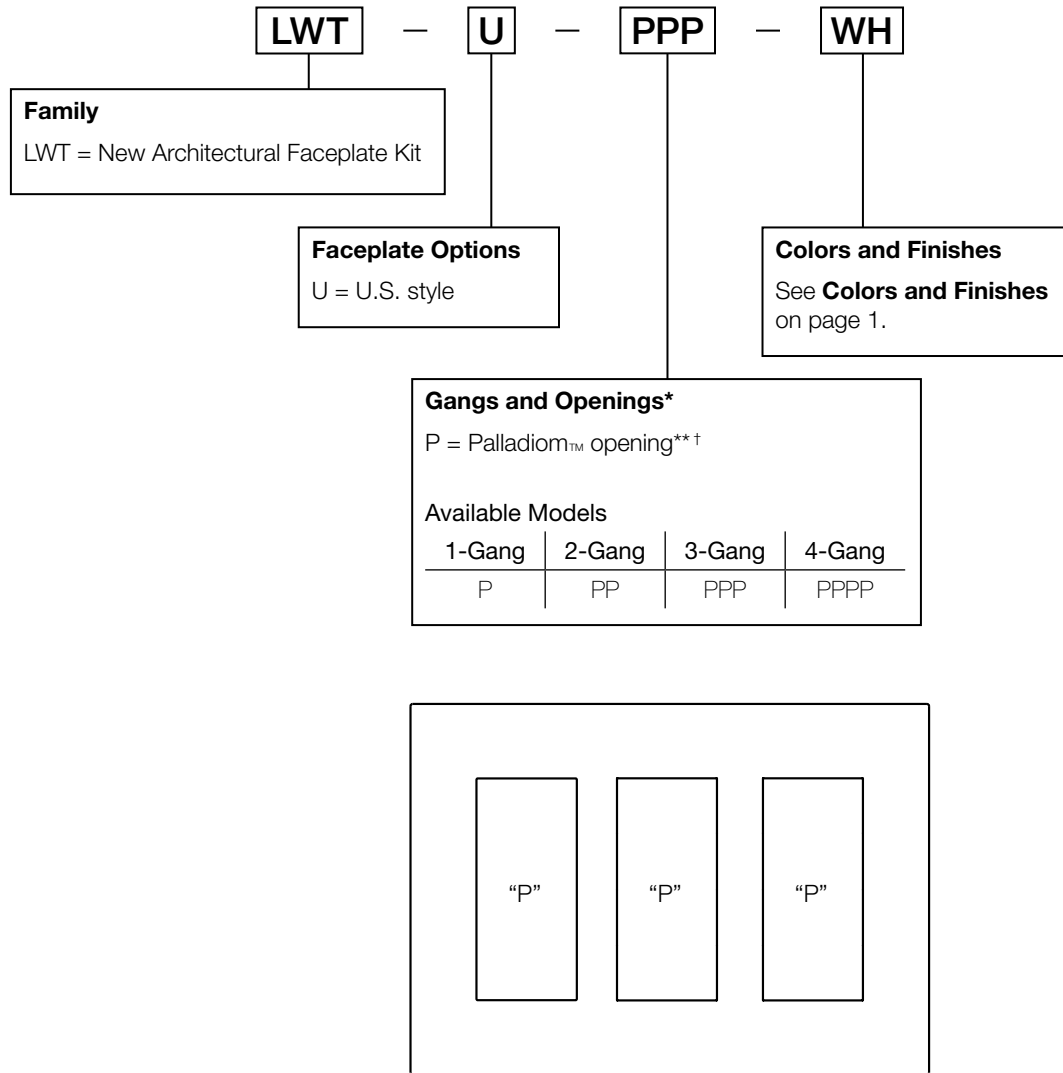
Continued on next page...

<p>Job Name:</p> <p>Job Number:</p>	<p>Model Numbers:</p>
--	-----------------------

How to Build a Multi-Gang Faceplate Kit Model Number *(Continued)*

Step 3: Build appropriate faceplate model number

a. When ganging with Palladiom™ keypads or receptacle-only applications



*Repeat letter designation for each number of openings (4 maximum).
 **New Architectural accessories will fit into "P" openings when ganging with Palladiom™ keypads.
 †Palladiom™ keypads will only fit into "P" openings.

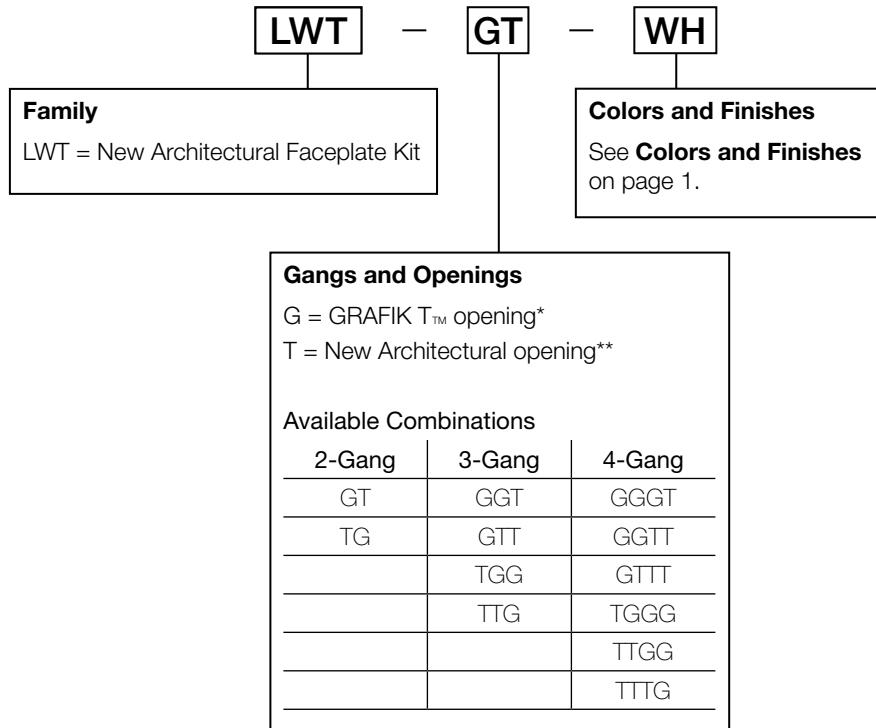
Continued on next page...

Job Name:	Model Numbers:
Job Number:	

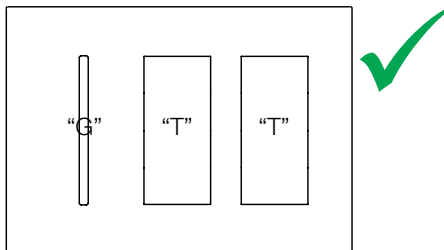
How to Build a Multi-Gang Faceplate Kit Model Number *(Continued)*

Step 3: Build appropriate faceplate model number *(Continued)*

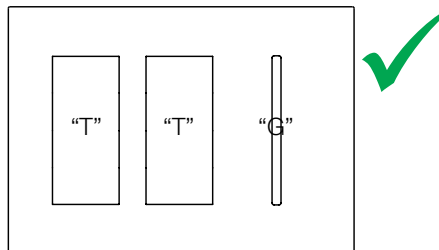
b. When ganging with GRAFIK T™ controls



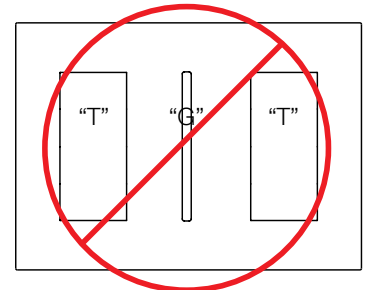
Correct (LWT-GTT-XXX[†])



Correct (LWT-TTG-XXX[†])



Incorrect



Step 4: See *Colors and Finishes* on page 1 to determine the desired color code

*GRAFIK T™ controls will only fit into "G" openings.

**New Architectural accessories will fit into "T" openings when ganging with GRAFIK T™ controls.

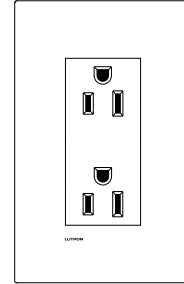
[†]"XXX" in the model number represents color/finish code. See **Colors and Finishes** on page 1.

Job Name:	Model Numbers:
Job Number:	

Examples of How to Select a New Architectural Accessory

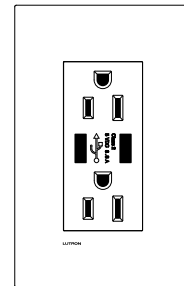
Example 1:

15 A Duplex Receptacle with Faceplate in Matte White			
Order:			
Model Number	Quantity	Description	Mount
LTR-F15-TR-WH	1	15 A Duplex Receptacle with Faceplate in Matte White	Wallbox



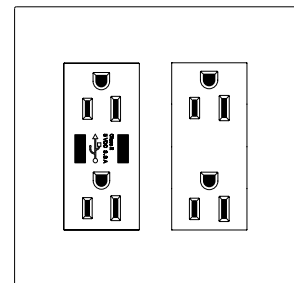
Example 2:

15 A USB Receptacle in Matte Black with Satin Nickel Faceplate			
Order:			
Model Number	Quantity	Description	Mount
LTR-F15-UBTR-SN	1	15 A USB Receptacle in Matte Black with Satin Nickel Faceplate	Wallbox



Example 3:

15 A USB Receptacle and 15 A Duplex Receptacle with Satin Nickel Faceplate			
Order:			
Model Number	Quantity	Description	Mount
LTR-15-UBTR-BL*	1	15 A USB Receptacle in Matte Black	Wallbox
LTR-15-TR-BL*	1	15 A Duplex Receptacle in Matte Black	
LWT-U-PP-SN	1	2-Gang Faceplate in Satin Nickel	



*Accessories are ordered in Black (BL) when used with metal faceplates.

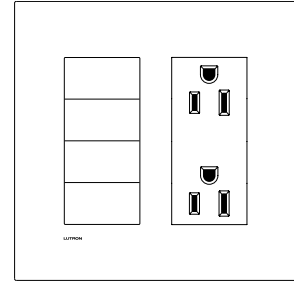
Continued on next page...

Job Name:	Model Numbers:
Job Number:	

Examples of How to Select a New Architectural Accessory (Continued)

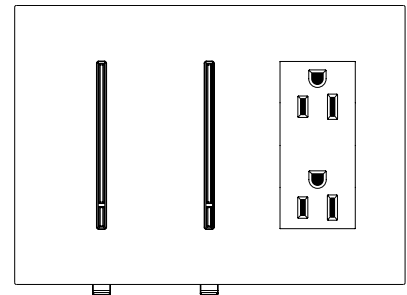
Example 4:

4-Button Quantum® Palladiom™ Keypad and 15 A Duplex Receptacle in Satin Nickel Faceplate			
Order:			
Model Number	Quantity	Description	Mount
QWP-B-4W-SN	1	4-Button Quantum® Palladiom™ Keypad in Satin Nickel	Wallbox
LTR-15-TR-BL*	1	15 A Duplex Receptacle in Matte Black	
LWT-U-PP-SN	1	2-Gang Faceplate in Satin Nickel	



Example 5:

Two GRAFIK T™ dimmers and 15 A Duplex Receptacle in White Glass Faceplate			
Order:			
Model Number	Quantity	Description	Mount
GT-250M-WH	2	GRAFIK T™ Dimmer in White	Wallbox
LTR-15-TR-CWH**	1	15 A Duplex Receptacle in Gloss White	
LWT-GGT-CWH	1	3-Gang Faceplate in Clear White Glass	



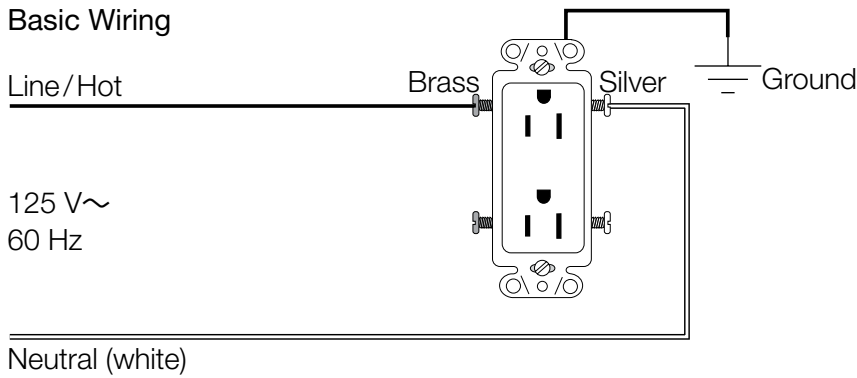
*Accessories are ordered in Black (BL) when used with metal faceplates.
 **Accessories are ordered in Gloss White (CWH) when used with glass faceplates.

Job Name:	Model Numbers:
Job Number:	

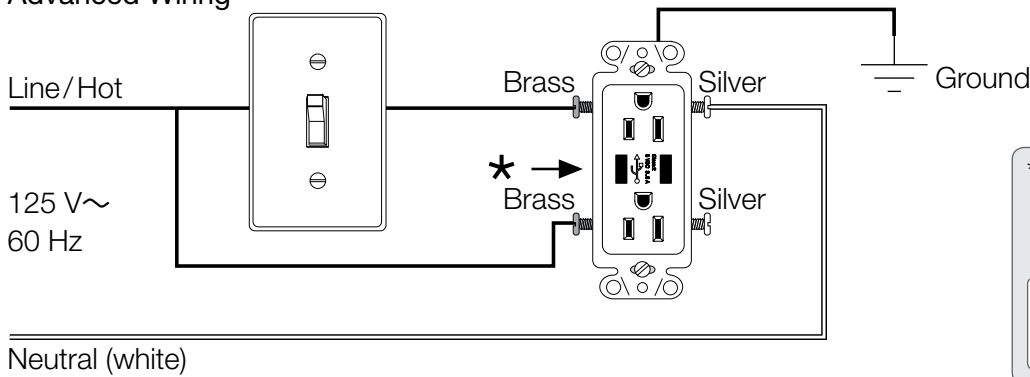
Wiring Diagrams

Duplex Receptacles (15 A shown)



Basic Wiring



Advanced Wiring

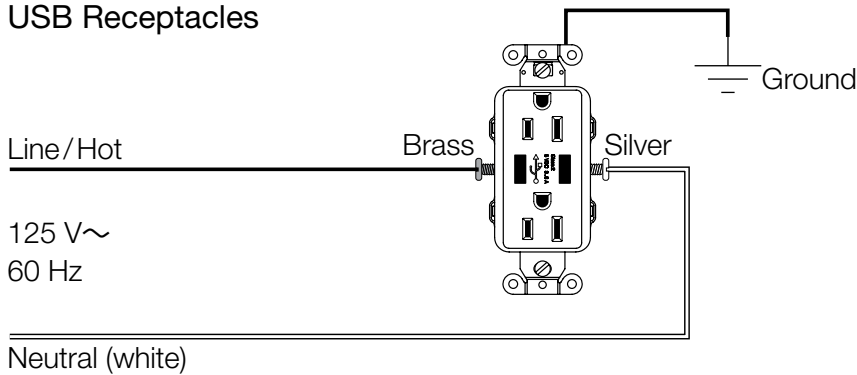


* For independent Line/Hot connections, remove connecting link.

Before  After 

Note: Switch controls upper receptacle.

USB Receptacles

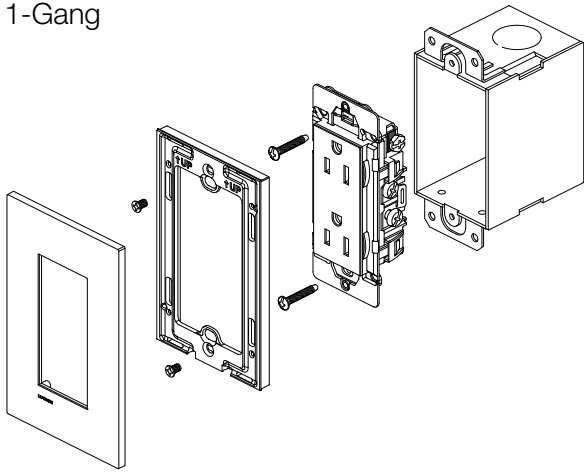


Note: Top and bottom receptacles cannot be split apart into independent Line Hot and Switched Hot connections.

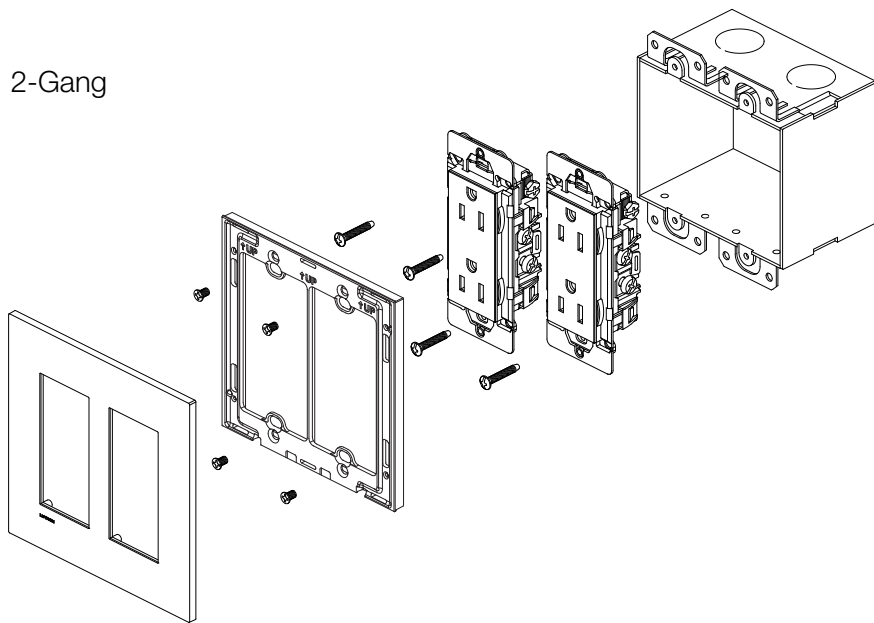
Job Name:	Model Numbers:
Job Number:	

Mounting Diagrams

1-Gang



2-Gang

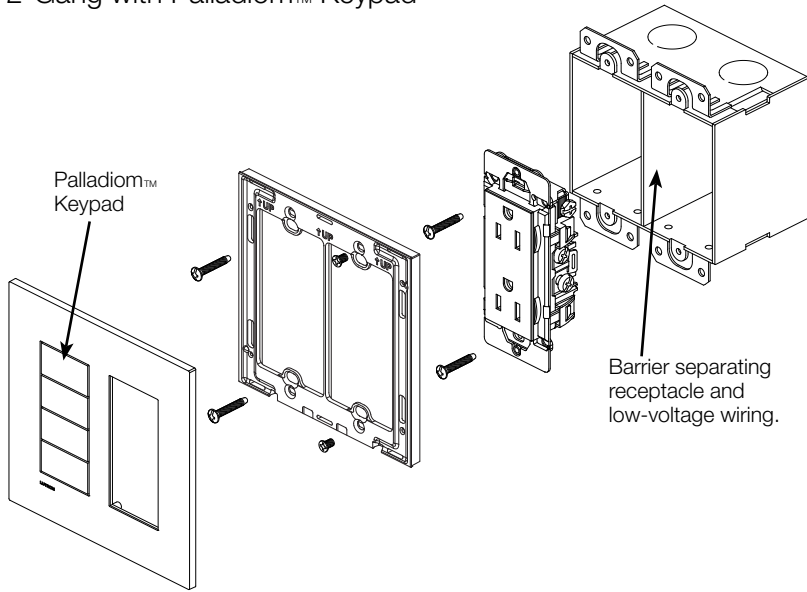


Continued on next page...

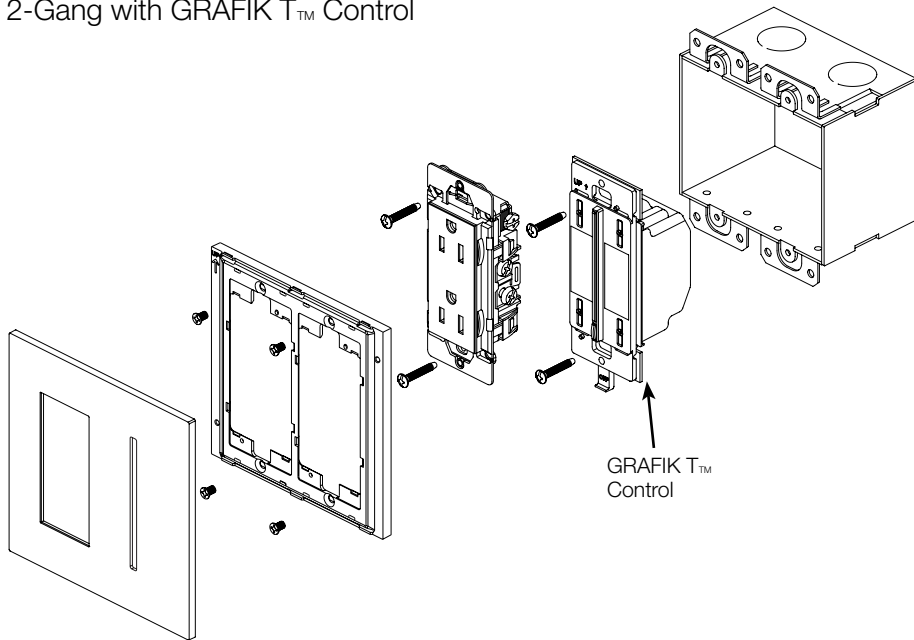
Job Name:	Model Numbers:
Job Number:	

Mounting Diagrams (Continued)

2-Gang with Palladiom™ Keypad



2-Gang with GRAFIK T™ Control



Job Name:	Model Numbers:
Job Number:	